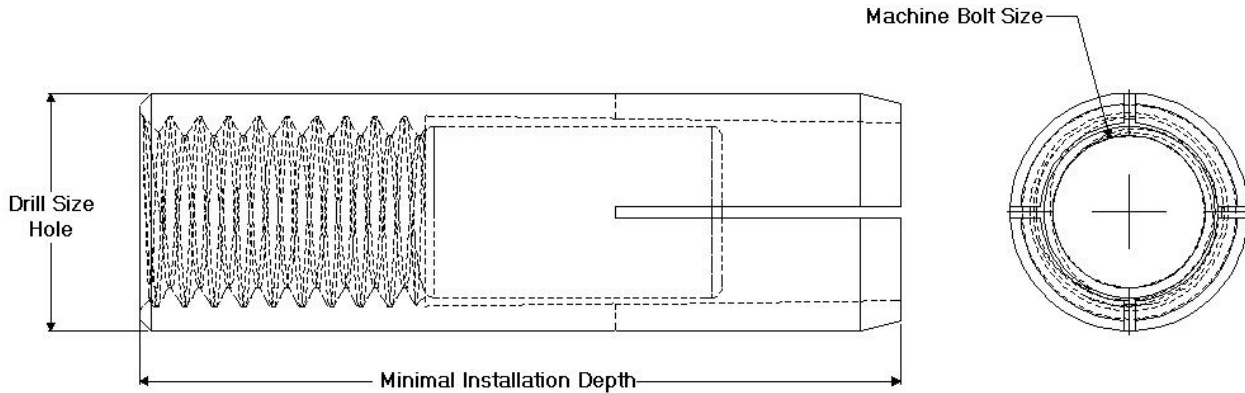


## DIA Series - Drop In Anchor

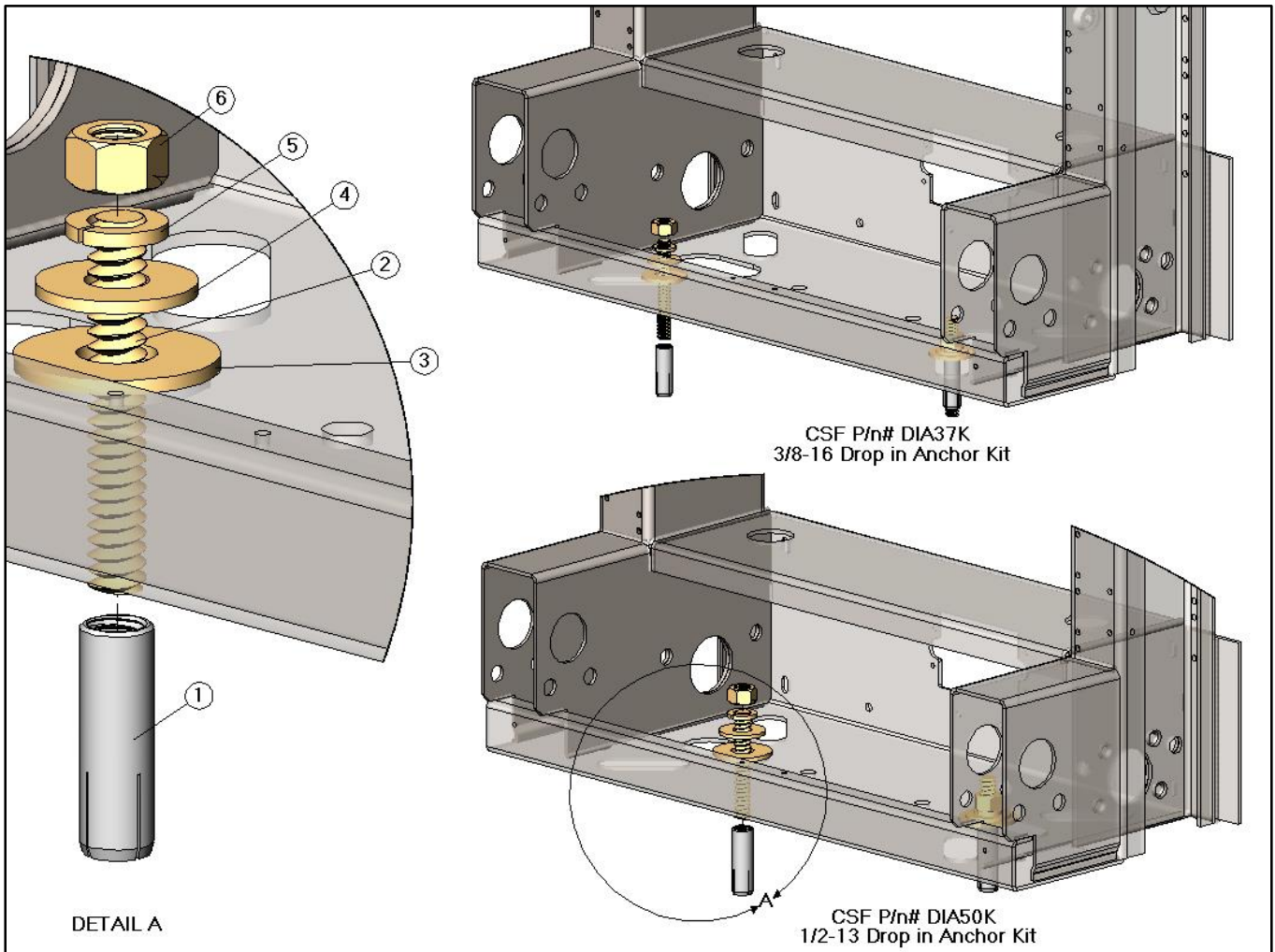


### DIA Series - Drop In Anchor

CSF P/N#	Drill Size Hole	Min. Installation Depth	Machine Bolt Size
DIA25	Ø .38"	1.00"	1/4-20UNC
DIA37	Ø .50"	1.50"	3/8-16UNC
DIA50	Ø .63"	2.00"	1/2-13UNC

Specifications subject to change. Please contact CSF Customer Service for more information.

## DIAxxK Selection - Drop in Anchor Kits



DIA37K - 3/8-16 Drop in Anchor Kit			
Item	CSF P/N#	Description	QTY
1	DIA37	3/8-16 Drop in Anchor	2
2	TR03	3/8-16 Threaded Rod	2
3	FW167	1/2" Flat Washer	2
4	FW166	3/8" Flat Washer	2
5	LW156	3/8" Spring Lock Washer	2
6	HN146	3/8-16 Hex Nut	2

DIA50K - 1/2-13 Drop in Anchor Kit			
Item	CSF P/N#	Description	QTY
1	DIA50	1/2-13 Drop in Anchor	2
2	TR29	1/2-13 Threaded Rod	2
3	FW168	5/8" Flat Washer	2
4	FW167	1/2" Flat Washer	2
5	LW157	1/2" Spring Lock Washer	2
6	HN147	1/2-13 Hex Nut	2

Specifications subject to change. Please contact CSF Customer Service for more information.